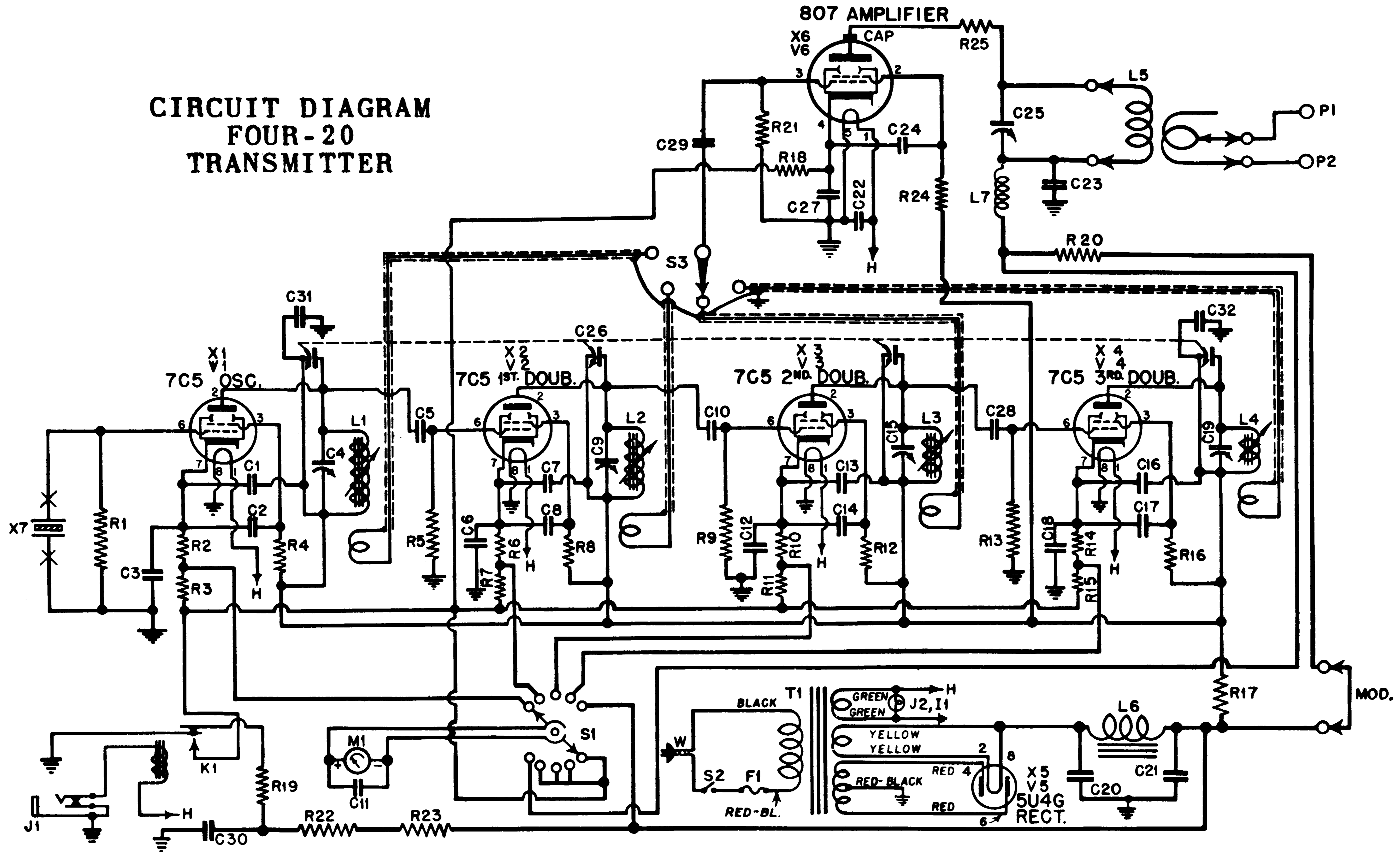


CIRCUIT DIAGRAM
FOUR-20
TRANSMITTER



2.