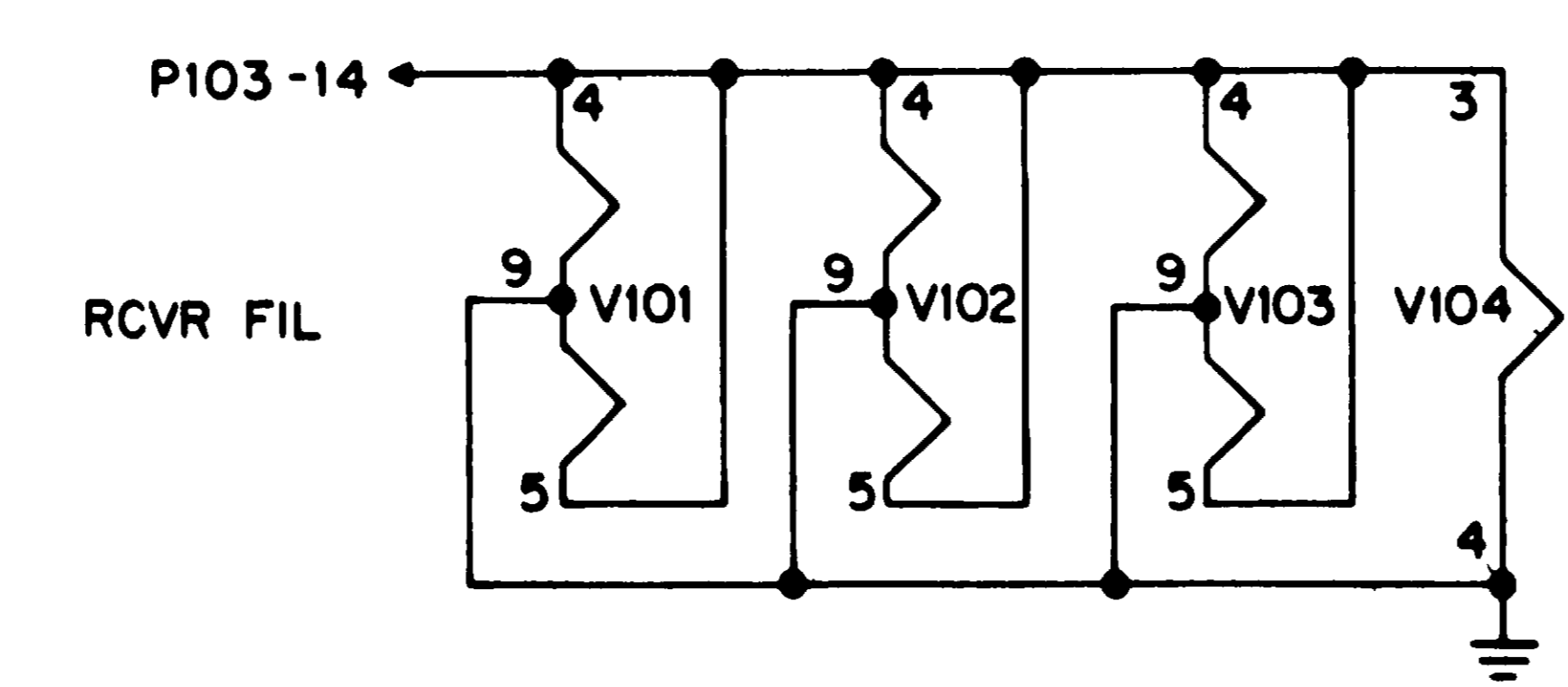


- PI03
- CH 1 ANT TUNER (29) → P102-16
- CH 2 ANT TUNER (29) → P102-17
- CH 3 ANT TUNER (30) → P102-18
- CH 4 ANT TUNER (31) → P102-19
- CH 5 ANT TUNER (32) → P102-20
- CH 6 ANT TUNER (33) → P102-21
- N C (13)
- RELAY CONTROL (8)
- KEYING (9)
- XMIT AUDIO (7)
- AUDIO FROM COMPRESSOR (11)
- XMTR LAMP KEYED-90 (12)
- B+ 275V (3)
- B+ 225V FINAL SCREEN (4)
- B+ 150V REG OSC (5)
- AUDIO GROUND (17)
- BIAS -90V (6)
- SQUELCH (10)
- N C (19)
- N C (20)
- N C (21)
- N C (22)
- N C (24)
- N C (25)
- COMMON FIL (18)
- COMMON GROUND (15)
- N C (26)
- 6.3V XMTR FIL (16)
- 6.3V RCVR FIL (14)
- XTAL OVEN 115V AC (1)
- N C (27)
- +750V (23)

- PI01
- 1 MIKE
- 2 EARPIECE
- 3 XMTR LAMP
- 4 STANDBY LAMP
- 5 BUZZER
- 6 PTT
- 7 UP SWITCH
- 8 BUZZER POWER
- 9 BUZZER BUTTON
- 10 GROUND
- 11 MIKE
- 12 EARPIECE
- 13 XMTR LAMP
- 14 STANDBY LAMP
- 15 BUZZER
- 16 PTT
- 17 UP SWITCH
- 18 BUZZER POWER
- 19 BUZZER BUTTON
- 20 GROUND
- 21 MIKE
- 22 EARPIECE
- 23 XMTR LAMP
- 24 STANDBY LAMP
- 25 BUZZER
- 26 PTT
- 27 UP SWITCH
- 28 BUZZER POWER
- 29 BUZZER BUTTON
- 30 GROUND
- PI02
- 1 115/230VAC
- 2
- 3 GROUND
- 4 KEY/REMOTE TUNER TEST SWITCH
- 5
- 6
- 7
- 8
- 9
- 10 600Ω LINE CONNECTIONS
- 11 K101-2
- 12 K101-10
- 13 K101-6
- 14
- 15 S110-1
- 16 P103-28
- 17 P103-29
- 18 P103-30
- 19 P103-31
- 20 P103-32
- 21 P103-33

NOTE: 1. ALL CAPACITOR VALUES ARE MICROFARADS UNLESS OTHERWISE SPECIFIED.
 2. ALL RESISTORS ARE 1/2 W ± 10% UNLESS OTHERWISE SPECIFIED.



SWITCH - FUNCTION SHOWN IN CCW POSITION (1)

POSITION	FUNCTION
1	MONITOR
2	OPERATE
3	INTERCOM

SWITCH - SELECTOR SHOWN IN CCW POSITION (1)

POSITION	SELECTOR
1	L (LOCAL 1)
2	1 REMOTE 1
3	2 REMOTE 2
4	3 REMOTE 3
5	T (600Ω LINE)

SCHMATIC DIAGRAM - POWER DECK
 FIGURE 24